

MID WEST PRODUCTS, INC.

31" DELUXE PUSH PAVEMENT/LEAF/LAWN SWEEPER MODEL B-319NT



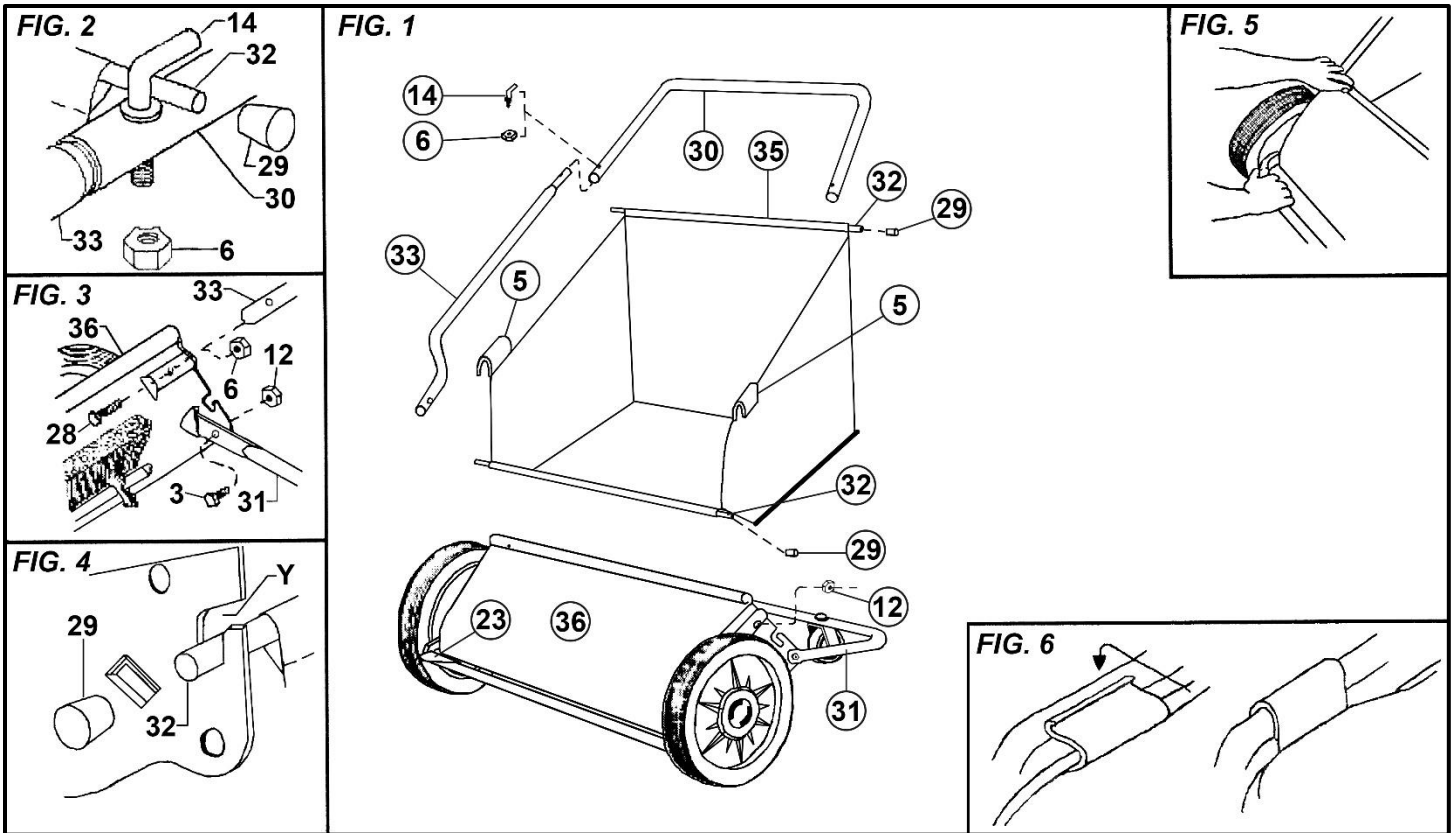
No Tools Required Owner's Manual and Parts List

SAVE THIS MANUAL

You will need this manual for the safety instructions, assembly instructions and parts list. Put it in a safe, dry place for future reference.

Additional Information/Link to PDF Copy of this Manual:





ASSEMBLY

1. Lay all parts on a flat surface, and follow these few simple instructions.
2. Set Chassis (36) on its Wheels and swing Support Stand (31) to rear until ends of Stand are against stops in Chassis End Plates. It is not necessary to loosen Nuts (12). See Figure 3.
3. Remove Wing Nuts (6) and Hook Bolts (14) from the Steering Handle (30). Slip reduced ends with holes of Side Handle Tubes (33) into ends of Steering Handle Tube (30). Line up hole in each end and reinsert Hook Bolts (14) through tubes. Secure with Wing Nuts (6). See Figures 1 and 2 for correct position of all parts. **NOTE: Make certain Hook Bolts point to rear of sweeper.**
4. Now, remove Wing Nuts (6) from the bottom ends of the Side Handle Tubes (33). Slip bottom ends of Side Handle Tubes (33) inside Chassis (36) See Figure 8. Make certain the Thumb Screws (28) go through the hole in the formed pocket. Reattach the Wing Nuts (6) onto the Thumb Screws (28) now protruding through the outside of the Chassis (36).
5. Hang Hamper (35) inside Handle Assembly with rear Hamper Rod (32) in Hooks (14). Place front Hamper Rod (32) in slots "Y" of Chassis End Plates. See Figures 2 and 4.

Fasten Hangers (5) on Side Handles. Tilt Hanger in—slide and twist out over tube. See Figure 6.

All "right" and "left" directions should be considered as from your position behind the Lawn Sweeper

CHASSIS (36)
(The correct positioning of the Handle Tubes as you are looking into the Brush Assembly of the Chassis)

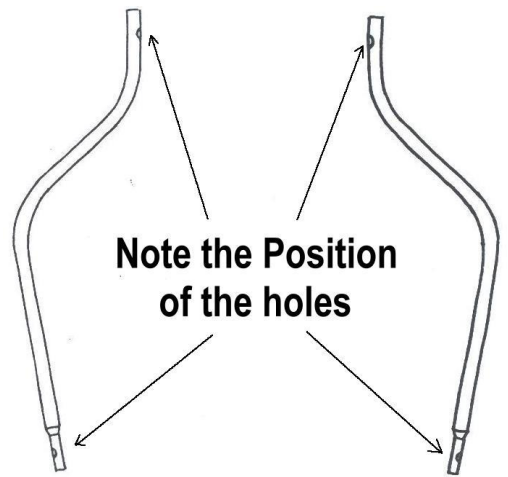


FIG. 8
Left Side Handle Tube Right Side Handle Tube

PARTS DIAGRAM & LIST

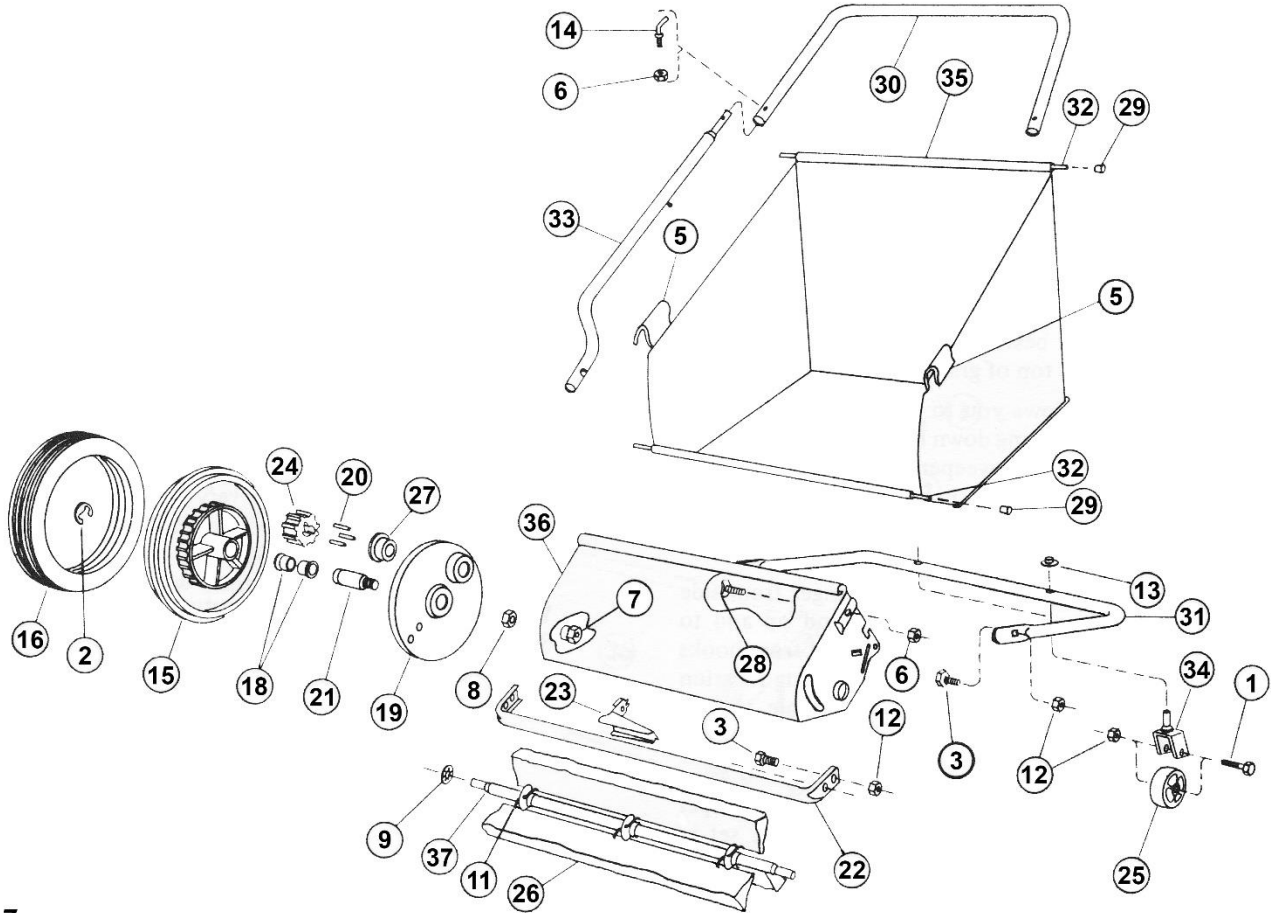


FIG. 7

Your Lawn Sweeper box contains the following items: 1- Chassis, 1- Steering Handle Assembly, 2- Side Handle Assemblies (R.H & L.H.), 1- Manual, & 1- Hamper Assembly.

Key	Part No.	Description	Qty
1	L-127	5/16-18 X 1-1/2 Hex Hd. Cp. Sc.	2
2	L-262	5/8 Type "E" Retaining Ring	2
3	L-279	5/16-18 X 1/2 Hex Hd. Sc.	6
6	X-1152	1/4-20 Wing Nut	4
7	L-5485	3/8-24 Pilot Nut	2
8	L-5486M	3/8-24 Lock Nut (Spec.)	2
9	X-1041	1/2 Push On	2
11	X-1043	Brush Holder Spring	18
12	X-1107	5/16-18 Center Lock Nut	8
13	X-1348	5/16" Push On Cap	2
14	X-1360	Hook Bolt	2
15	L-5464	10" Plastic Wheel	2
16	1-1418E	10" Ribbed Tire	2
18	L-5472	Wheel Bushing	4
19	1-2399	Wheel Shield	2
20	L-5480	Pinion Pawl	6
21	L-5496	Wheel Stud Axle	2

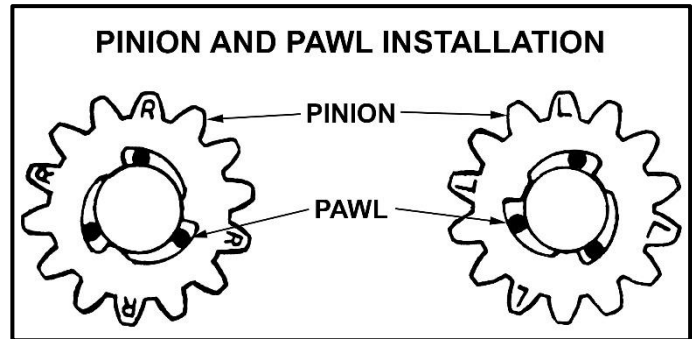
Key	Part No.	Description	Qty
22	L-6103	Bumper Tube	1
23	L-6151	Spring Adjustment	1
24	L-6157	Pinion Gear	2
25	L-6190B	Caster Wheel	2
26	1-3344	Brush Strip	6
27	1-1080	Flange Bearing	2
28	X-1182	1/4-20 X 1-1/4 Bolt	2
29	1-1287	Rubber Cap	4
30	1-1355	Steering Handle	1
31	1-1337	Carriage Tube	1
32	1-1389	Hamper Rod	2
33	1-2274	Side Handle Tube R.H.	1
NI	1-2275	Side Handle Tube L.H.	1
34	1A-1311	Caster Bracket Assembly	2
35	1A-2010	Hamper Assembly	1
36	1A-2278	Shield Assembly	1

NI = Not Illustrated

OPERATION

1. **BRUSH HEIGHT ADJUSTMENT:** You can sweep both lawn and paved areas by a simple adjustment of the Brush. To raise Brush to sweep your lawn, merely squeeze Brush Control and push down on front of Bumper Tube. At the same time, with the other hand, pull up on right corner of Chassis. To lower Brush, just reverse above instructions. See Figure 5. Whenever sweeper seems to push hard, merely raise Brush one notch higher. For best operation on lawns the Brush should merely flick the top of grass blades.
2. **DUMPING SWEEPER:** Release Hamper Hanger from Side Hamper Tubes. Then, lift front hamper rod up and to rear of sweeper. Now, remove rear Hamper Rod from Hooks (14) and lift Hamper from sweeper. If dumping location is far from sweeping area, it may be desirable to pile several hamper loads of debris on a tarpaulin for faster removal to dumping location.
3. **STORAGE:** Just fold Stand forward under Chassis. Hamper will fold itself when sweeper is hung on wall or set in corner against wall for compact winter storage.
4. **NO LUBRICATION REQUIRED:** Brush Axle Bearings are lubricated and sealed during factory assembly. No other lubrication is necessary. **DO NOT OIL OR GREASE GEARS IN WHEELS.** If oil or grease is applied to these parts the Brush will not rotate. Then it is necessary to re-move Wheel and wipe all parts clean.
5. When servicing or replacing the Pinion or Pawl Pins please refer to the PINION & PAWL INSTALLATION Figure. Right (R) and Left (L) notations on the Pinion Gears are from your position behind the Lawn

Sweeper.



6. Your Lawn Sweeper is precision manufactured by experienced craftsmen, using the very finest in tools and materials. Although it is ruggedly constructed, do not subject it to misuse. **CAUTION: DO NOT PUSH SWEEPER TOO CLOSE TO FIRE – the Brushes will burn. BE SURE TO WIPE OFF YOUR LAWN SWEEPER AFTER EACH USE.** Store in a dry place out of direct sunlight. Don't permit the sweeper to stand in the hot sun unless it is in actual use.

You will find many work-saving uses for your Lawn Sweeper. Use it in the early Spring to give your lawn a good healthful scrubbing. Use it throughout the Spring and Summer both before and after mowing. Sweeping before mowing stands up the grass for a clean, even mowing – and protects your mower from sticks, stones, or nuts which might damage the blades of your mower. After mowing, your Lawn Sweeper will whisk away unsightly grass clippings – leaving your lawn velvety smooth.

INSTRUCTIONS FOR ORDERING PARTS

(Minimum Parts Order Charge \$20.00)

1. Address all parts orders or correspondence regarding customer service to one of the following:
Parts Dept. Phone: (937) 337-3641
Mid West Products, Inc.
P.O. Box 301 E-mail: Parts@Mid-West-Products-Inc.com
Phillipsburg, OH 45354 Website: www.Mid-West-Products-Inc.com
2. Write your name and address plainly (print or type).
3. Explain where and how to ship.
4. Give model number of unit.
5. Give part number from parts list, as well as a description, including color, of the part and the quantity you need.
6. Inspect all shipments you receive. If any parts are damaged or missing, file a claim with the carrier before accepting.
7. If you are returning parts, be sure to include WITH THE SHIPMENT a list of the parts with your name and address.
8. All orders for repair and replacement parts will be shipped when paid with Master Card, Visa, or personal check/money order. Prices subject to change without notice.

GUARANTEE

The merchandise you have purchased from us has been carefully engineered and manufactured under Mid West Products rigid quality standards and should give you satisfactory, dependable operation. However, like all mechanical merchandise, it may occasionally require adjustment or maintenance. Should you need technical assistance, please contact MID WEST PRODUCTS.

OTHER LAWN & GARDEN TOOLS FROM MID WEST PRODUCTS, INC.

WOODEN UTILITY CARTS — GC-20 OR GC-26

It has a gate that lifts out to unload bulky loads like mulch, soil, gravel, firewood or waste and also allow it to carry longer items. Once you have one, you'll wonder what you ever did without it!

The Standard-Duty Utility Cart has two 20" Pneumatic Wheels and a cargo capacity of 6.5 cubic feet or up to 300 pounds.

The Heavy-Duty Utility Cart has two 26" Pneumatic Wheels and a cargo capacity of 11.3 cubic feet or up to 400 pounds.



VEGETABLE GARDEN ROW SEED PLANTER — GSF-31M

- ALL-IN-ONE item that can simultaneously Plant and Fertilize Seeds as well as Mark Rows.
- It only weighs 14 lbs. and NO TOOLS are REQUIRED for Assembly.
- Attached Pouch for extra seed, notes, gloves, and other needed items.
- High Strength Powder Coated Steel Frame and Seed Tube.
- The unit is Rear-Wheel Belt Driven for Positive, Even Seeding and No Messy Chain to pull the seeds out of the ground.
- Includes 6 Different Seed Plates for 31 Common Variations in Seed Sizes.

HIGH WHEEL CULTIVATOR — HWC-243A

- 24" Steel Wheel For Easy Handling
- Special Selection of 3 Tools (Mol-board Plow, Reversible Shovel, Welded Five-Tine Cultivator)
- Slotted Foot For Plow Attachments Enables Easy Adjustment of Cutting Depth and Angle
- Handle Folds Easily For Storage or Transportation



"TRACTOR SEAT ON WHEELS"/HANDY CADDY — GC-400R

Sit comfortably on the sturdy four-wheeled Handy Caddy to do any of the jobs that usually require stooping, squatting, or kneeling. The 360° Swivel Seat allows freedom of movement while working in the garden or the greenhouse. Tools and supplies are held within easy reach in the handy Shelf below the Seat. Tasks, such as at your planter's bench or in the actual garden becomes easier and fun! At a weight of 34 pounds, this item is durable, easy to use, comfortable, andyes....EASY on the KNEES! It has many wonderful uses, just use your imagination!!! It is the ULTIMATE HELPER! Get up off your aching knees and onto a "Tractor Seat on Wheels" today!