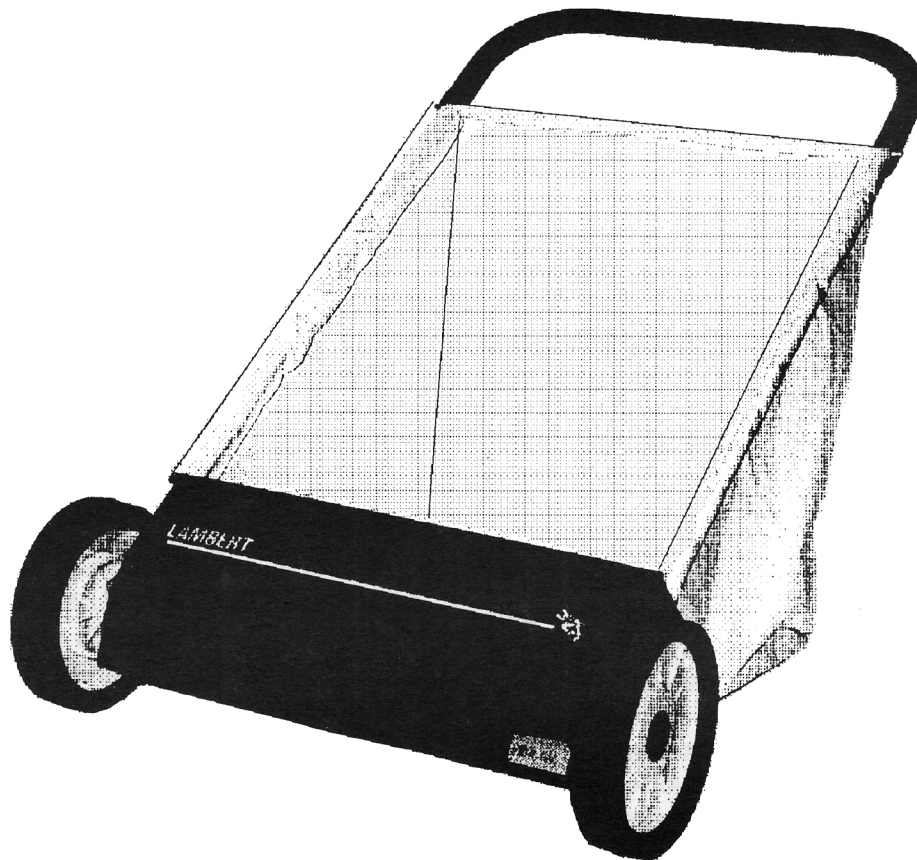


**KD-26 LAWN SWEEPER**



1040

**OPERATOR'S MANUAL AND PARTS LIST**

# MODEL KD-26 LAWN SWEEPER

## ASSEMBLY

Unpack carton and lay out parts: Carton contains following items:

- 2 Hub caps
- 2 Wheels
- 1 Sweeper brush assembly
- 6 Handle tubes
- 2 Hamper rods
- 1 Hamper
- 1 Made in U. S. A. Decal
- 1 Operators & Parts Manual
- 1 Foam hand grip
- 1 Bag of loose parts

## TOOLS REQUIRED

- 1 9/16" End Wrench
- 1 1/2" End Wrench
- 1 7/16" End Wrench
- 1 Ratchet Wrench
- 1 9/16" Socket
- 1 1/2" Socket
- 1 7/16" Socket
- 1 Pliers

## INSTRUCTIONS:

**Note:** Two heights settings are available. Top hole is recommended as shown in Fig. 1.

Wheel must be installed in same height setting hole on each side of chassis assembly.

**Install - secure all fasteners loosely.**

1. Install wheel assemblies (A) to chassis assembly (B) using plastic spacer (20), 3/8 I. D. flat washers (2), 3/8 lock nut (10) and 3/8 x 2 1/4 hex bolt (8) as shown in Fig. 1. Rotate wheels as you install to insure proper gear tooth engagement. Install hub caps (30), tap edge to snap in place.

2. Install stand tube (16) inside chassis assembly (B) using 5/16 x 1/2 hex bolt (3) and 5/16 lock nut (9). See Fig. 2. Be sure flat ends fit in notch as shown.

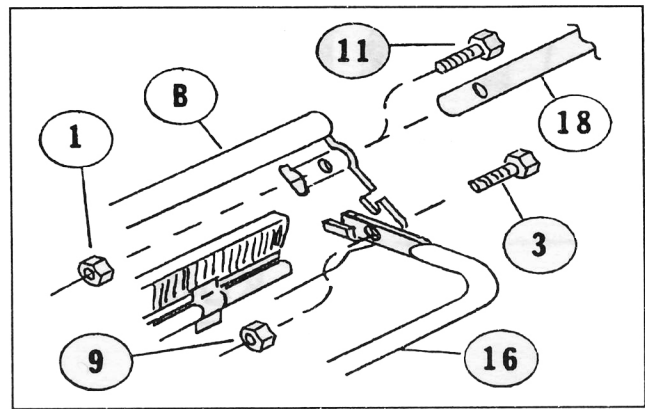


Figure 2

3. Install side handles (18) inside chassis assembly (B) socket using 1/4 x 1 hex bolt (11) and 1/4 lock nut (1). See Figs. 2 and 3.

4. Install connector tubes (19) to side tubes (18) with 1/4 x 1 1/4 hex bolt (7) and 1/4 lock nut (1). See Fig. 3.

5. Slide foam hand grip (27) over steering handle (17). See Fig. 3.

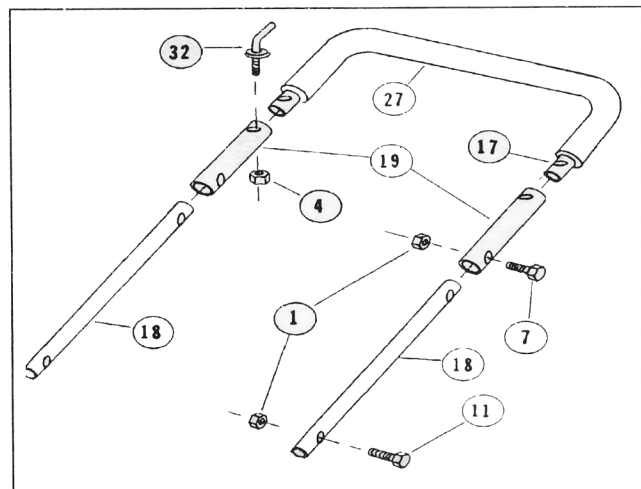


Figure 3

6. Insert ends of steering handle (17) into connector tubes (19). Align holes in each and secure with hook bolt (32) and 1/4 thin nut (4). See Fig. 3.

7. Tighten all fasteners.

8. Insert hamper rods (21) inside top and bottom hems of hamper assembly (12). See Fig. 4.

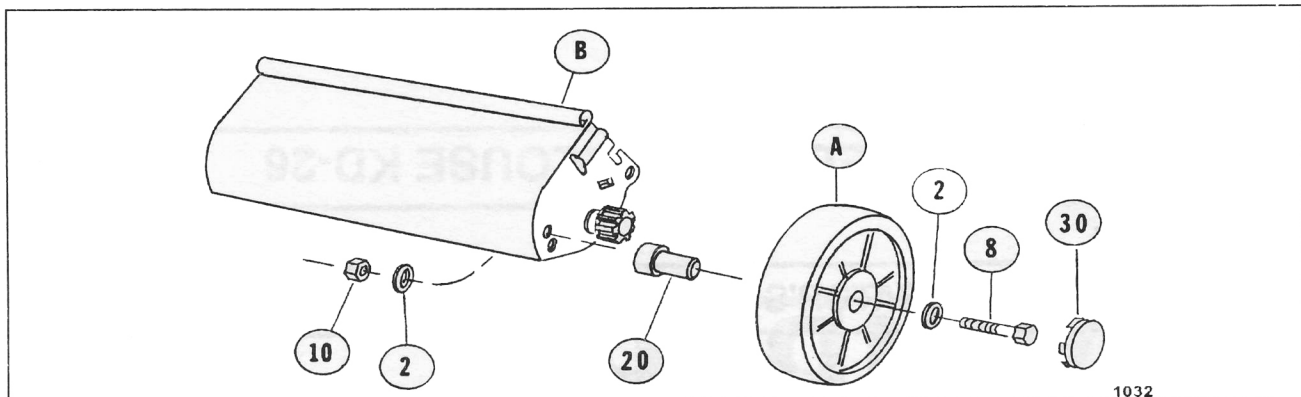
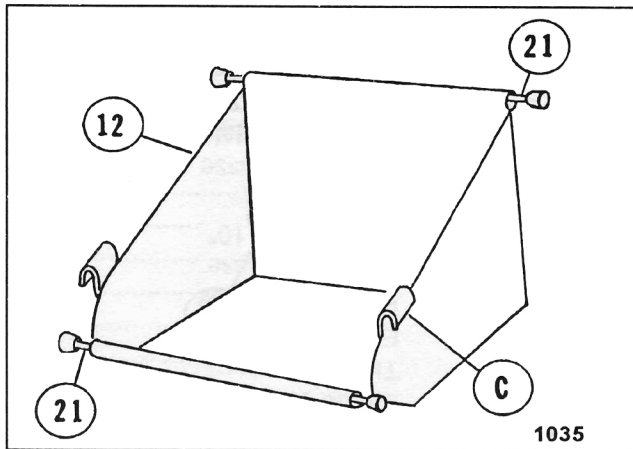


Figure 1



**Figure 4**

9. Hang hamper assembly inside handles with top rod in hook bolts (32) and bottom rod in slots of chassis assembly. See Figs. 5 and 6.

10. Fasten hangars (C) to side handles. See Figs. 4 and 7.

## OPERATION

### BRUSH/HEIGHT ADJUSTMENT

Select appropriate wheel mounting bolt hole in brush assembly for desired sweeping height (Fig. 1).

### BRUSH ADJUSTMENT:

You can sweep both lawn and paved areas. Just move wheel assembly to additional hole setting on end plate of chassis assembly. See Fig. 1.

### DUMPING HAMPER:

Release hangars from side handles. Lift front rod from slots and rear rod from hook bolts. See Figs. 5 & 6.

### STORAGE:

Remove bottom rod from slots. See Fig. 6. Fold stand tube forward under chassis. Unit can be hung from hooks on wall of storage area.

### LUBRICATION:

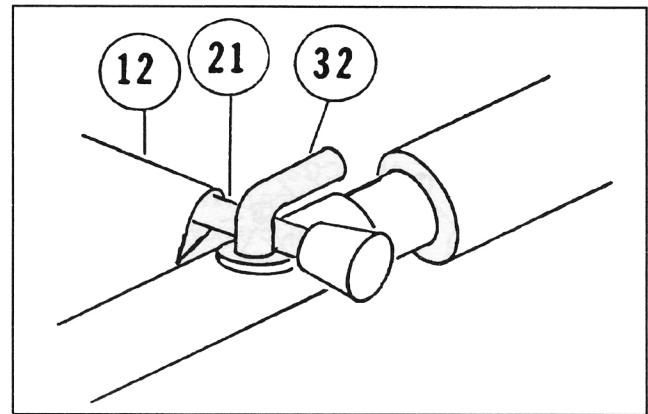
**"None required."** Do not oil or grease gears in wheels. If oil or grease is applied to these parts, the brush will not rotate.

## INSTRUCTIONS FOR ORDERING PARTS

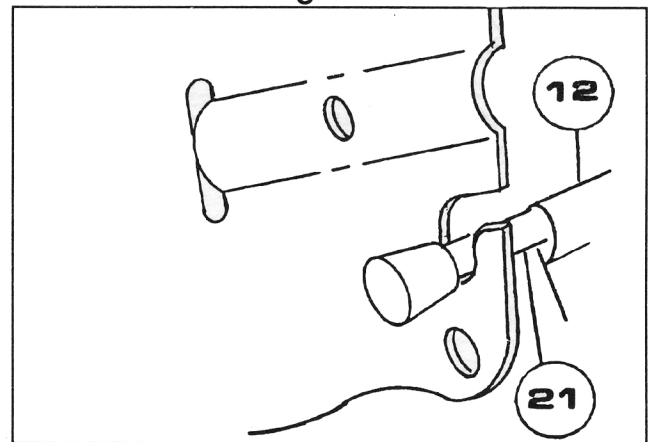
**NOTE:** Be sure to specify color (if any) of any part you order. (Minimum Parts Order Charge: \$10.00)

To eliminate error and speed delivery, follow these suggestions.

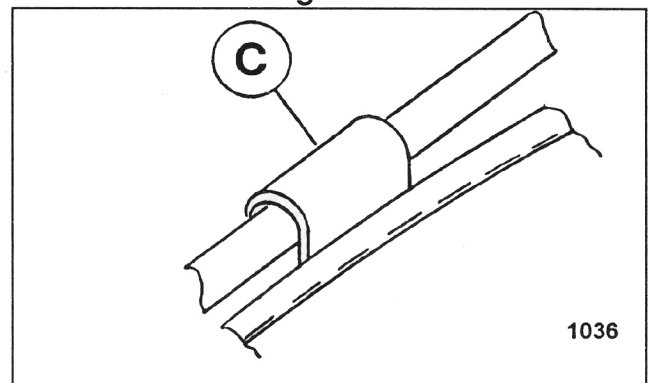
1. Address all parts orders or correspondence regarding service to your local dealer or:



**Figure 5**



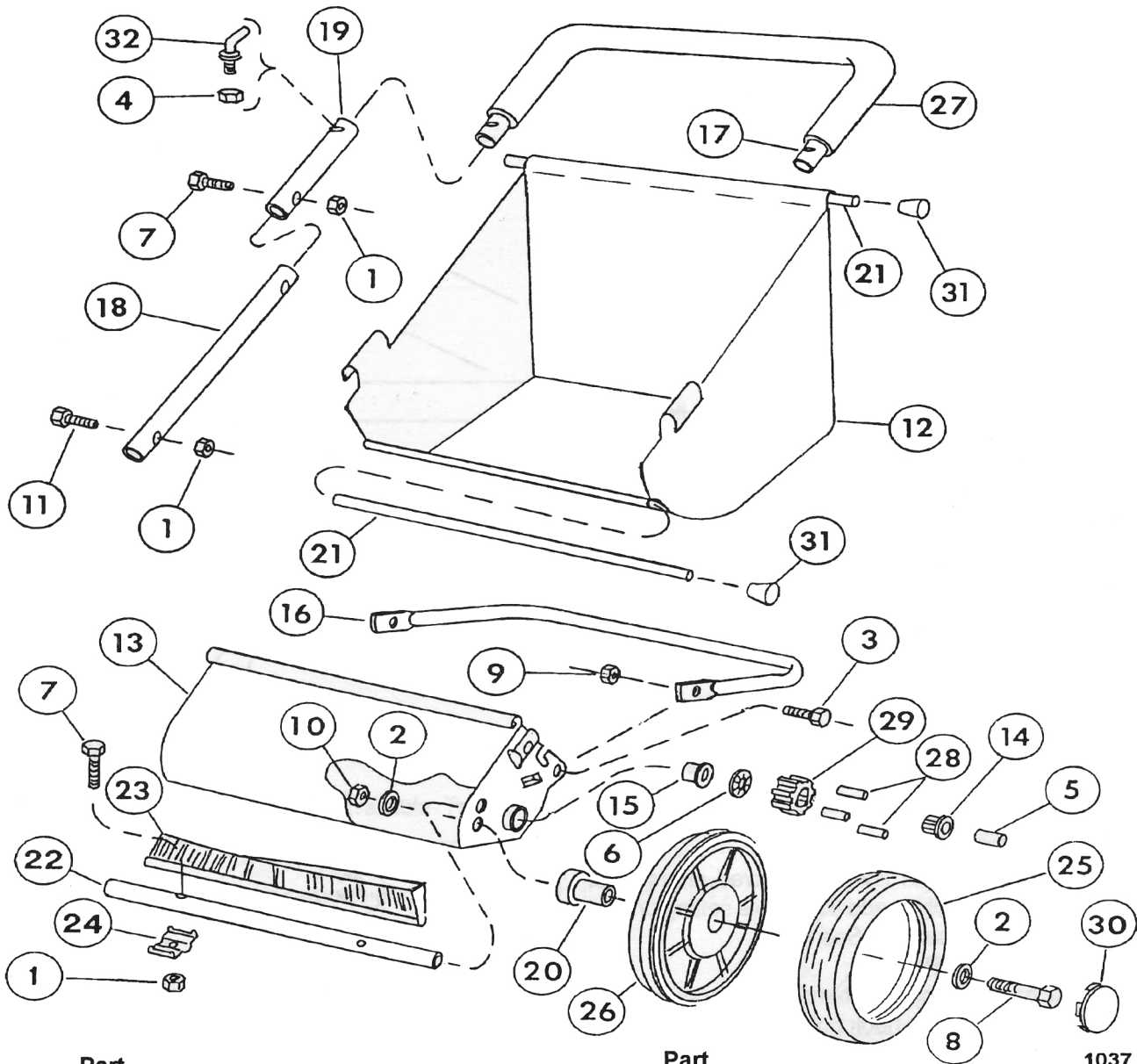
**Figure 6**



**Figure 7**

2. Print or type your name and address clearly.
3. Explain where and how to ship.
4. Give correct model number from owner's manual or product and state color if part is painted.
5. Give part number, as well as description of part, and the quantity you need of each part.
6. Inspect all shipments you receive. If any parts are damaged or missing, file a claim with the carrier before accepting.
7. Parts will be shipped immediately upon receipt of your order. We can ship C.O.D. or if you prefer to use your Visa or Master Card, state your name as it is on your card, card number, interbank number and expiration date.

# REPAIR PARTS LIST



KEY	Part No.	Description	Qty.	KEY	Part No.	Description	1037 Qty.
1	X-1633	1/4-20 Lock Nut .....	6	17	1-1358	Steering Handle .....	1
2	L-64	3/8 Flat Washer .....	4	18	1-3104	Side Handle .....	2
3	L-279	5/16-18 x 1/2 H.H.C.S. ....	2	19	1-3247	Connector Tube .....	2
4	L-73	1/4-20 Jam Nut .....	2	20	1-3102	Wheel Bushing .....	2
5	X-1040	5/32 x 5/8 Spirol Pin .....	2	21	1-1344	Hamper Rod .....	2
6	X-1041	Push Nut .....	2	22	1-3106	Brush Axle .....	1
7	X-1182	1/4-20 x 1 1/4 H.H.C.S. ....	4	23	1-3109	Brush Strip .....	2
8	X-1240	3/8-16 x 2 1/4 H.H.C.S. ....	2	24	1-2788	Brush Clamp .....	4
9	X-1628	5/16-18 Lock Nut .....	2	25	1-1637	10" Tire .....	2
10	X-1652	3/8-16 Lock Nut .....	2	26	1-3114Y	10" Wheel .....	2
11	X-2020	1/4-20 x 1 H.H.C.S. ....	2	27	1-3110	Foam Handle Grip .....	1
12	1A-3248	Hamper Assembly .....	1	28	L-5480	Roller Pawl .....	6
13	1A-3113	Front Shield Assembly .....	1	29	L-6157	Pinion Gear .....	2
14	1-1000	Shaft End Plug .....	2	30	L-5471B	Hub Cap .....	2
15	1-1288	Nylon Bushing .....	2	31	1-1287	Rod Cap .....	4
16	1-1335-1	Stand Tube .....	1	32	X-1360	Hook Bolt .....	2