

LAMBERT

"Flipomatic" • Pavement/Leaf/Lawn Trailer Sweepers

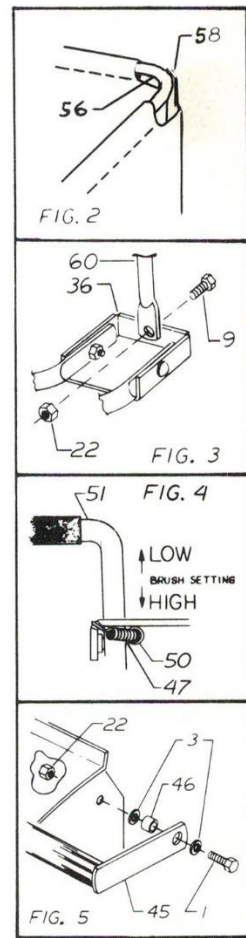
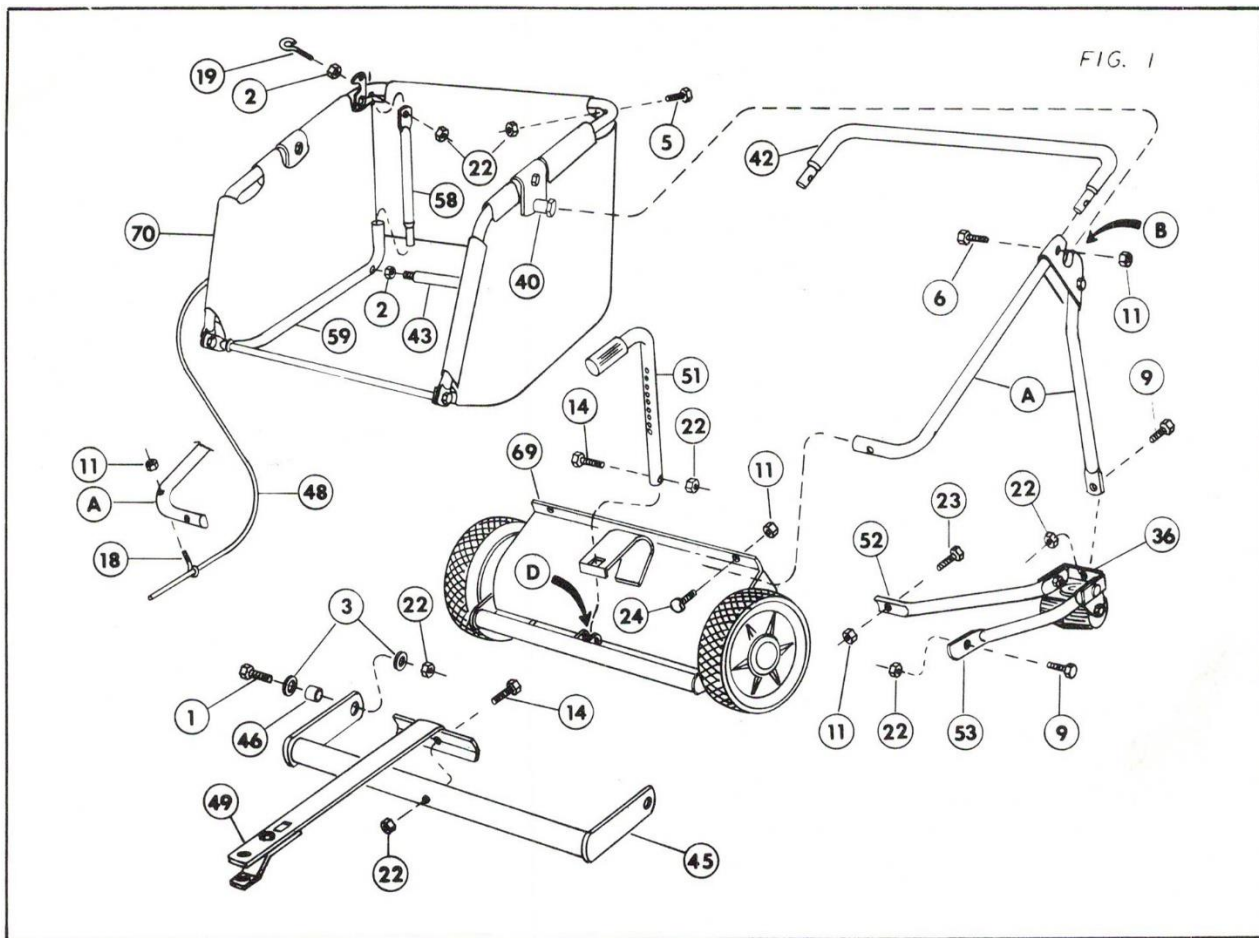
**26" GEMINI
MODEL ST-461A**

**31" APOLLO
MODEL ST-411A**

**38" JUNO
MODEL ST-481A**



Owner's Manual And Parts List



IMPORTANT: This sweeper was in perfect condition when it was shipped to you. If any damage is found when it is unpacked, save the carton and immediately request the delivering carrier to make an inspection report.

Assembly

1. Remove all sweeper parts, parts bag and literature from carton.
2. All "Right" and "Left" directions are in reference to position behind sweeper.
3. Only two 7/16" - 1/2" combination wrenches are required to assemble your new lawsweeper. Lay out all parts, have tools handy and follow these few instructions.
4. Fasten Right and Left caster tube assemblies (36) to chassis (69) by attaching Stand Brace (52) to stiffener, using Bolt (23) and Lock Nut (11). Attach Stand Brace (53) to outside of chassis with Bolts (9) and Lock Nut (22). Make sure flat end of tube (53) is located between the two tabs on Chassis (69). See Fig. 1 and 12.
5. Install right and left Pivot Support Assemblies "A" to chassis with Bolts (24) and Nuts (11). Fasten Vertical Tubes (60) inside Caster Plate with Bolt (9) and Nut (22). See Fig. 1 and 3.
6. Assemble Rope Guide Eye Bolt (18) to right hand Pivot Support and secure with Nut (11). See Fig. 1.
7. Remove Bolt (6) and Nut (11) in Pivot Support Assemblies "A" and install Pivot Brace Tube (42) secure with same fasteners, Bolt (6) and Nut (11). See Fig. 1.
8. To install Adjustment Tube (51), push Spring (47) and Retainer Tube (50) back and force Tube between Retainer and Lock Pin. Slide Tube down between lugs "D" and fasten with Bolt (14) and Nut (22). See Figs. 1 and 4.
9. Insert Tie Rod (43) in holes of Bottom Hamper Tubes (59) with Hex Nuts (2) inside against tube. See Fig. 1
10. Insert reduced ends of Support Tubes (58) in bottom Hamper Tubes (59). Fasten (do not tighten) top of Support Tube outside Top Hamper Tube (56) with Bolt (5) and Nut (22) on left side. Use Eye Bolt (19), Regular Nut (2) and Lock Nut (22) on right side. See Fig. 1 and 2.
11. Hang Hamper (70) under Brace Tube (42) and place Pivot Pins (40) in slots "B". See Fig. 1.
12. Check Hamper squareness. Front edge of Hamper should run parallel with top edge of chassis. Hamper sides should be equally spaced between Caster Plates. If adjustments are required, twist complete Hamper slightly. Rotate Hamper to dumping position and check for proper clearance throughout entire movement.
13. Tighten all Hamper Bolts:
 - A. Right and Left Support Tubes "A"
 - B. Bottom Hamper Tube to Side Hamper Tube connection.
 - C. Hamper Pivot Bracket Bolts.
 - D. Front Tie Rod Nuts.
 - E. Rear Tie Rod Nuts. Tighten Nuts against Bottom Hamper Tubes until Hamper is "TAUT". Do not over stretch and make sure Rod does not protrude thru Tubes and rub Hamper Material.
14. Feed Dump Rope (48) through Eye Bolt (18) on right side Pivot Support "A". See Fig. 1.
15. Assemble Hitch Tongue (49) to Hitch Assembly (45) with Bolt (14) and Nut (22). See Fig. 1.
16. Remove Hitch Fasteners from sides of chassis and assemble Hitch Assembly to each side of Chassis as shown in Fig. 5.

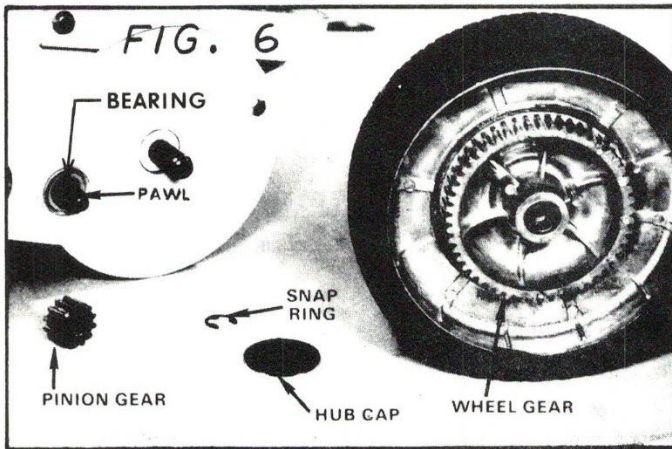
Operation

1. **BRUSH ADJUSTMENT:** Your new trailer-sweeper is equipped with a handy, "from the rider/tractor seat," brush adjustment. To raise, push Tube (51) back and down until desired sweeping height is attained. To lower, push Tube (51) back and pull up to desired sweeping Height. See Fig. 4. For best results, brush should merely flick tops of grass blades. Brushes should be raised when transporting to and from sweeping area.
2. **SWEEPING SPEED.** For best results, rider/tractor should travel at a 3 to 5 M.P.H. range.
3. **DUMPING:** **PATENTED** Flip-O-Matic rear dump action with Lift-Out Hamper feature. To dump merely pull on Nylon Rope until Hamper turns over dumping debris. Return hamper slowly to its original position by keeping pressure on rope.

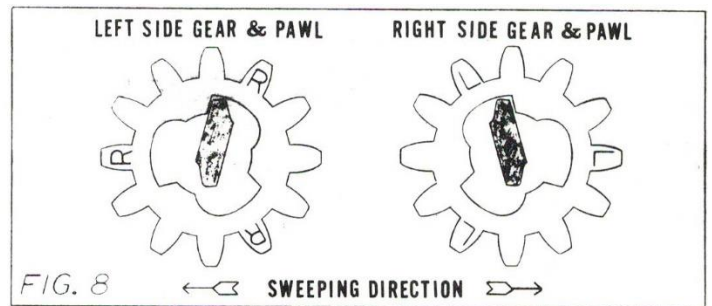
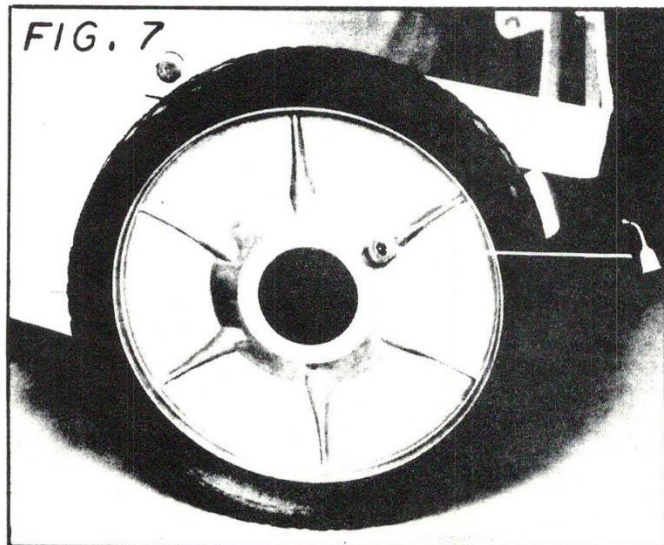
Maintenance

LUBRICATION

1. Remove wheel by removing plastic hub cap and snap ring. Apply a light multipurpose grease to wheel gear and pinion gear. *NOTE: Do not allow grease to enter center of pinion gear.* Lubricate at beginning of each season or more often as conditions dictate. See Fig. 6.



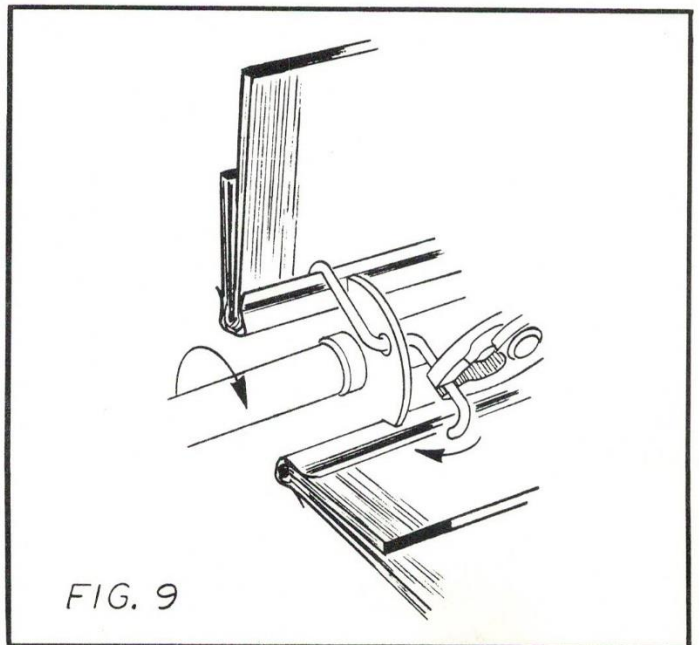
2. Remove pinion gear and oil pawl with SAE #20 oil or equivalent. Do not apply grease or heavy oil to pawl. This causes the pawl to stick and operate erratically. See Fig. 6.
3. When installing pinion and pawl refer to Fig. 8 for correct position.
4. Oil wheel axle with SAE #20 oil or equivalent at beginning of season or more often as conditions dictate. See Fig. 7.



5. Apply SAE #20 oil or equivalent to brush axle bearings twice a season. See Fig. 6.
6. Oil hamper pivot pins occasionally to prevent rust and insure easy dumping.

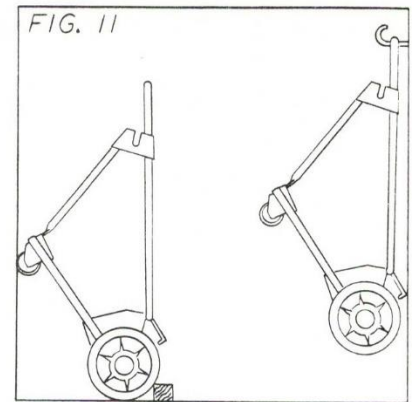
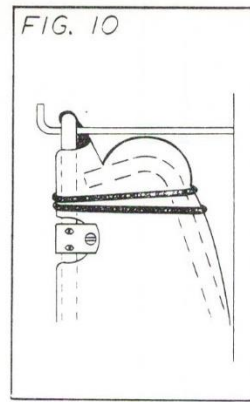
BRUSH REPLACEMENT

Place brush strips in slots of brush disc so shorter supporting bristles are away from brush sweeping rotation. Secure at each disc with three holder springs. Feed spring thru hole of disc. Place upper point into bristles with point next to disc. With pliers, grasp spring, turn and raise upward so lower point is secured on backing of second brush. Tap each end of spring with pliers to make certain the points are completely down into bristles. See Fig. 9.



Storage Hints:

1. Clean hamper to remove clippings and debris.
2. Wipe dirt and grease from chassis. Repaint scratched areas and coat metal parts with oil to prevent rust.
3. Store sweeper in a dry area out of direct sunlight.
4. Check sweeper parts for wear. Replace parts as necessary.
5. Remove hamper support tubes. Fold bottom hamper tubes upward and wrap dump rope around hamper. Tie securely. Store folded hamper on wall-mounted hooks. See Fig. 10.
6. Remove brush height adjustment handle and hitch assembly.
7. Block sweeper wheels and lean against wall or hang unit from wall hooks. See Fig. 11.



Your new Trailer-Sweeper is precision manufactured by experienced craftsmen, using the finest in tools and materials. Although it is ruggedly constructed, do not subject it to misuse. **CAUTION: DO NOT PULL YOUR UNIT TOO CLOSE TO FIRE — the brushes and hamper will burn.** Be sure to wipe off your unit after each use. Store in a dry place out of direct sunlight. Don't permit the sweeper to stand in the hot sun unless it is in actual use.

You will find many work-saving uses for your lawnsweeper. Use it in early spring to give your lawn a good healthful scrubbing. Use it throughout the spring and summer both before and after mowing. Sweeping before mowing stands up grass for a clean, even cut — and protects your mower from sticks, stones, or nuts which might damage the blades of your mower. After mowing, your lawnsweeper will whisk away unsightly grass clippings — leaving your lawn velvety smooth.

Instructions for Ordering Parts

**Note: Be sure to specify color (if any) of any parts you order.
(Minimum Parts Order Charge \$6.00)**

To eliminate error and speed delivery, follow these suggestions:

1. Address all parts orders or correspondence regarding service to your local dealer or:
 6. Inspect all shipments you receive. If any parts are damaged or missing, file a claim with the carrier before accepting.
2. Write your name and address plainly (print or type).
3. Explain where and how to ship.
4. Give model and serial number taken from the sweeper chassis.
5. Give part number from list on back page, as well as a description of the part and the quantity you need of each part.
 7. If you are returning parts, be sure to include WITH THE SHIPMENT a list of the parts with your name and address. All returned parts must be sent prepaid to:
 8. All orders for repair and replacement parts will be shipped C.O.D. This is not a reflection on your credit standing, but a bookkeeping necessity. Prices are subject to change without notice.

LAMBERT GUARANTEE

The merchandise you have purchased from us has been carefully engineered and manufactured under Lambert Corporation's rigid quality standards and should give you satisfactory dependable operation. However, like all mechanical merchandise, it may occasionally require adjustment or maintenance. Should you ever need technical assistance, please contact: Lambert Corp., 519 Hunter Avenue, Dayton, Ohio 45404.

Drawing

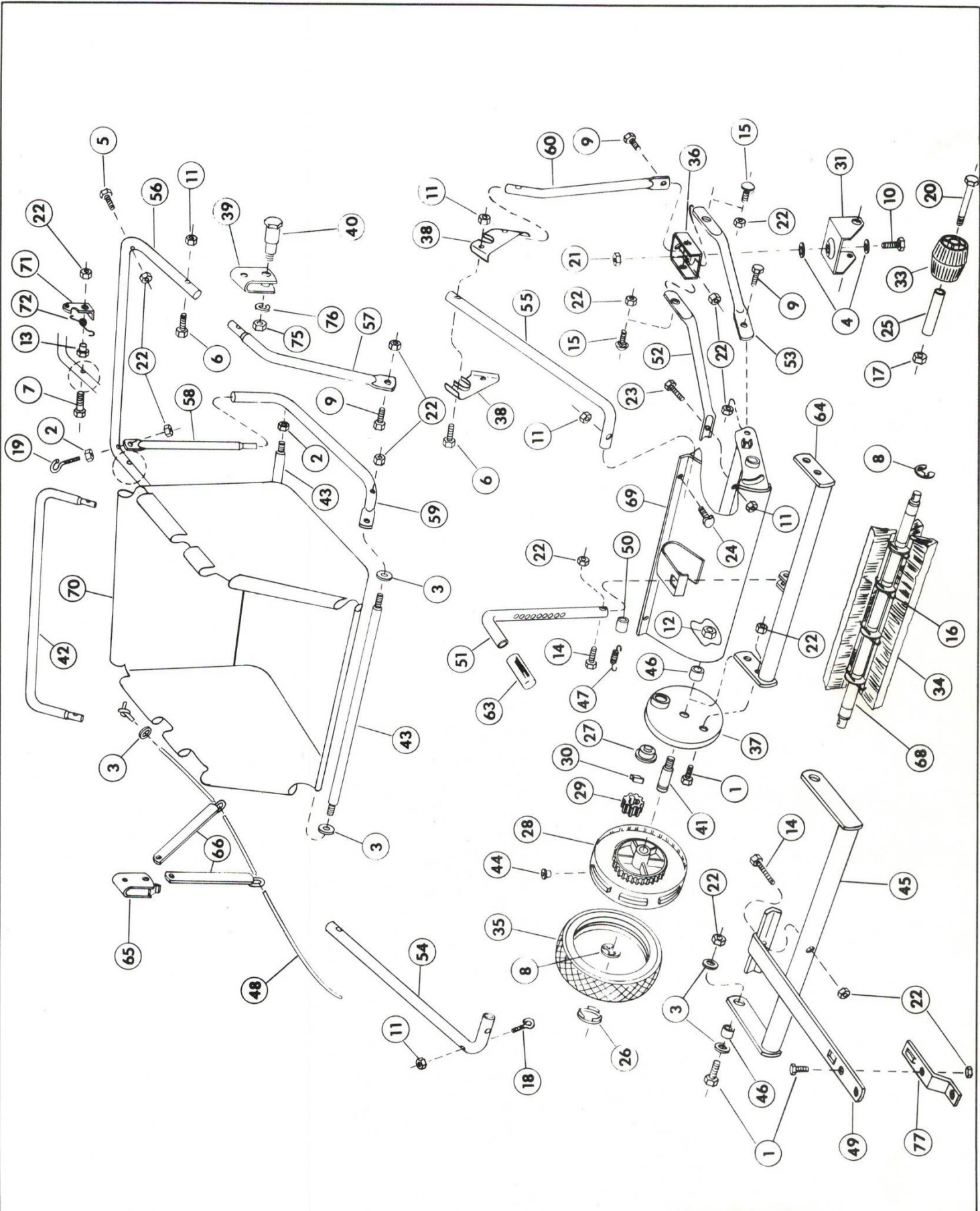


FIG. 12

Parts List

Key	Number	Usage			Description
		26"	31"	38"	
1	*L-59	5	5	5	5/16 - 18 x 3/4" H. H. C. S.
2	*L-60	3	3	3	5/16 - 18 Hex Nut
3	*L-99	7	7	7	5/16" Flat Washer
4	*L-64A	4	4	4	1/2" Flat Washer
5	*L-80	1	1	1	5/16 - 18 x 1 H. H. C. S.
6	*X-1182	6	6	6	1/4 - 20 x 1 1/4 H. H. C. S.
7	*L-127	1	1	1	5/16 - 18 x 1 1/2 H. H. C. S.
8	*L-262	4	4	4	5/8" Retaining Ring
9	*L-279	6	6	6	5/16 - 18 x 1/2 H. H. C. S.
10	*X-1258	2	2	2	1/2 - 13 x 1 1/4 H. H. C. S.
11	*L-303	11	11	11	1/4 - 20 Lock Nut
12	L-5486M	2	2	2	3/8 - 24 Spec. Lock Nut
13	L-5552	1	1	1	5/16 - 18 Pilot Nut
14	*X-1027	2	2	2	5/16 - 18 x 1 3/4 H. H. C. S.
15	X-1042	4	4	4	5/16 - 18 x 5/8 Carr. Bolt
16	X-1043	9	12	18	Brush Spring
17	*X-1199	2	2	2	3/8 - 16 Lock Nut
18	X-1234	1	1	1	1/4 - 20 Eye Bolt
19	X-1235	1	1	1	5/16 - 18 Eye Bolt
20	*X-1439	2	2	2	3/8 - 16 x 4 1/2 H. H. C. S.
21	*X-1353	2	2	2	1/2 - 13 Lock Nut
22	*X-1107	22	22	22	5/16 - 18 Lock Nut
23	*X-2020	2	2	2	1/4 - 20 x 1 H. H. C. S.
24	X-1478	2	2	2	1/4 - 20 x 1 Tube Bolt
25	15-1017	2	2	2	Caster Sleeve
26	L-5471B	2	2	2	Hub Cap
27	L-5497A	2	2	2	Flanged Bearing
28	L-5750A	2	2	2	Die Cast Wheel Assembly
29	L-5753	2	2	2	Pinion Gear
30	L-5761H	2	2	2	Pinion Pawl
31	1-1640	2	2	2	Caster Bracket
33	1-1633	2	2	2	Caster Roller
34	1-1060	3	-	-	Brush
	1-1341	-	3	-	Brush
	1-1949	-	-	6	Brush
35	1-1637	2	2	2	Tire
36	1A-B2355	2	2	2	Caster Plate Assembly
37	1-1428	2	2	2	Wheel Shield
38	1-B2318	4	4	4	Frame Pivot Bracket
39	1-B2317	1	1	1	Hamper Pivot Bracket
40	1-1443	2	2	2	Pivot Pin
41	1-1444	2	2	2	Wheel Stud
42	1-C2379	1	-	-	Top Pivot Stand Tube
	1-C2380	-	1	-	Top Pivot Stand Tube
	1-C2381	-	-	1	Top Pivot Stand Tube

Key	Number	Usage			Description
		26"	31"	38"	
43	1-1518	2	-	-	Hamper Tie Rod
	1-1519	-	2	-	Hamper Tie Rod
	1-1760	-	-	2	Hamper Tie Rod
44	L-288	2	2	2	Oiler
45	1A-C2405	1	-	-	Hitch Assembly
	1A-C2406	-	1	-	Hitch Assembly
	1A-C2326	-	-	1	Hitch Assembly
46	1-1526	4	4	4	Spacer
47	1-1465	1	1	1	Adjustment Spring
48	1-1467	1	1	1	Dump Rope
49	1A-B2319	1	1	1	Hitch Tongue Assembly
50	1-1474	1	1	1	Spring Ret. Tube
51	1-D2372	1	1	1	Adjustment Tube
52	1-C2327	2	2	2	Pivot Stand Brace, Inside
53	1-C2336	2	2	2	Pivot Stand Brace, Outside
54	1-C2373	1	1	1	Pivot Support Tube, R.
55	1-C2328	1	1	1	Pivot Support Tube, L.
56	1-C2374	1	-	-	Top Hamper Tube
	1-C2375	-	1	-	Top Hamper Tube
	1-C2376	-	-	1	Top Hamper Tube
57	1-C2377	2	2	2	Side Hamper Tube
58	1-1496	2	2	2	Hamper Support Tube
59	1-C2378	2	2	2	Bottom Hamper Tube
60	1-C2329L	1	1	1	Pivot Support Tube, L.
NI	1-C2329R	1	1	1	Pivot Support Tube, R.
63	1-1522B	1	1	1	Hand Grip
64	1A-C2389	1	-	-	Bumper Assembly
	1A-C2390	-	1	-	Bumper Assembly
	1A-C2391	-	-	1	Bumper Assembly
65	1A-B2411	1	1	1	Dump Bracket Assembly
66	1A-1440	2	2	2	Dump Lever Assembly
68	1A-B2300	1	-	-	Axle Assembly
	1A-B2301	-	1	-	Axle Assembly
	1A-B2302	-	-	1	Axle Assembly
69	1A-D2408	1	-	-	Chassis Assembly
	1A-D2409	-	1	-	Chassis Assembly
	1A-D2410	-	-	1	Chassis Assembly
70	1A-2395	1	-	-	Hamper Assembly
	1A-2396	-	1	-	Hamper Assembly
	1A-2397	-	-	1	Hamper Assembly
71	1-1537	1	1	1	Hamper Latch
72	1-1538A	1	1	1	Latch Spring
75	*X-1126	2	2	2	3/8 - 24 Hex Nut
76	*X-1070	2	2	2	3/8 Split Lock Washer
77	1-B2322	1	1	1	Pin Bracket
NI	1-1850	1	1	1	Adjustment Decal

*Std. Hardware Item
NI Furnished, Not Illustrated